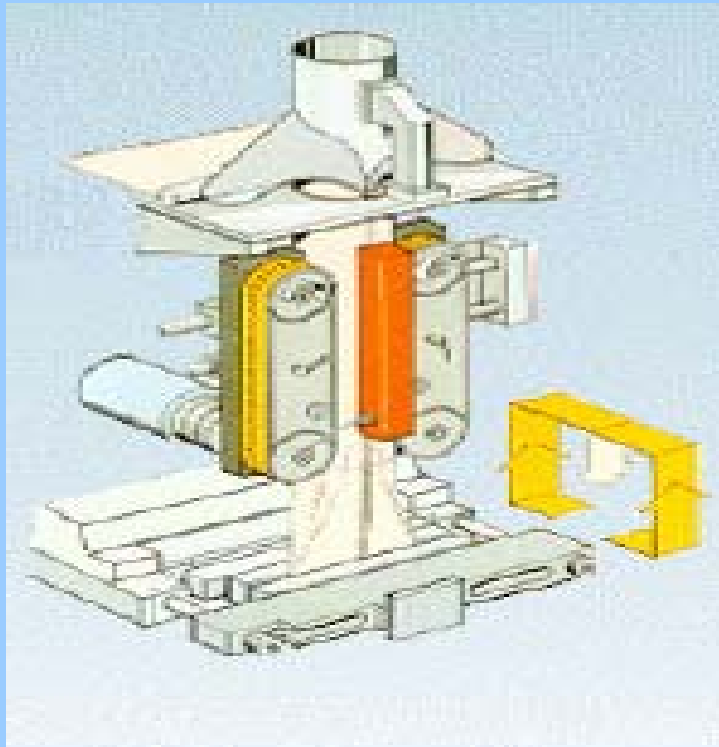


**Recent Developments
in
Form, Fill & Seal Machines**

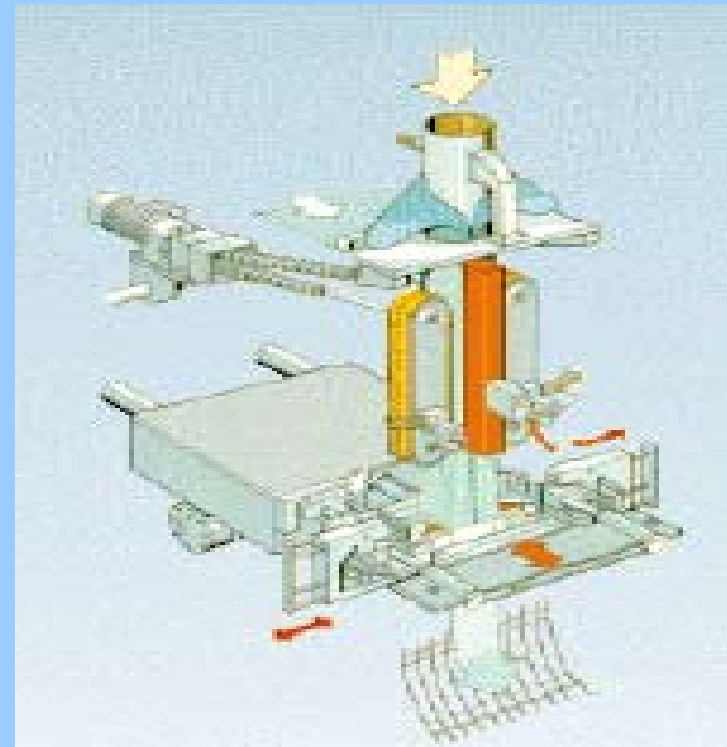
Developments

- Continuous Motion Machine
- High Fill Volume Packaging
(up to 15000 CC)

Continuous & Intermittent



Continuous motion
machines

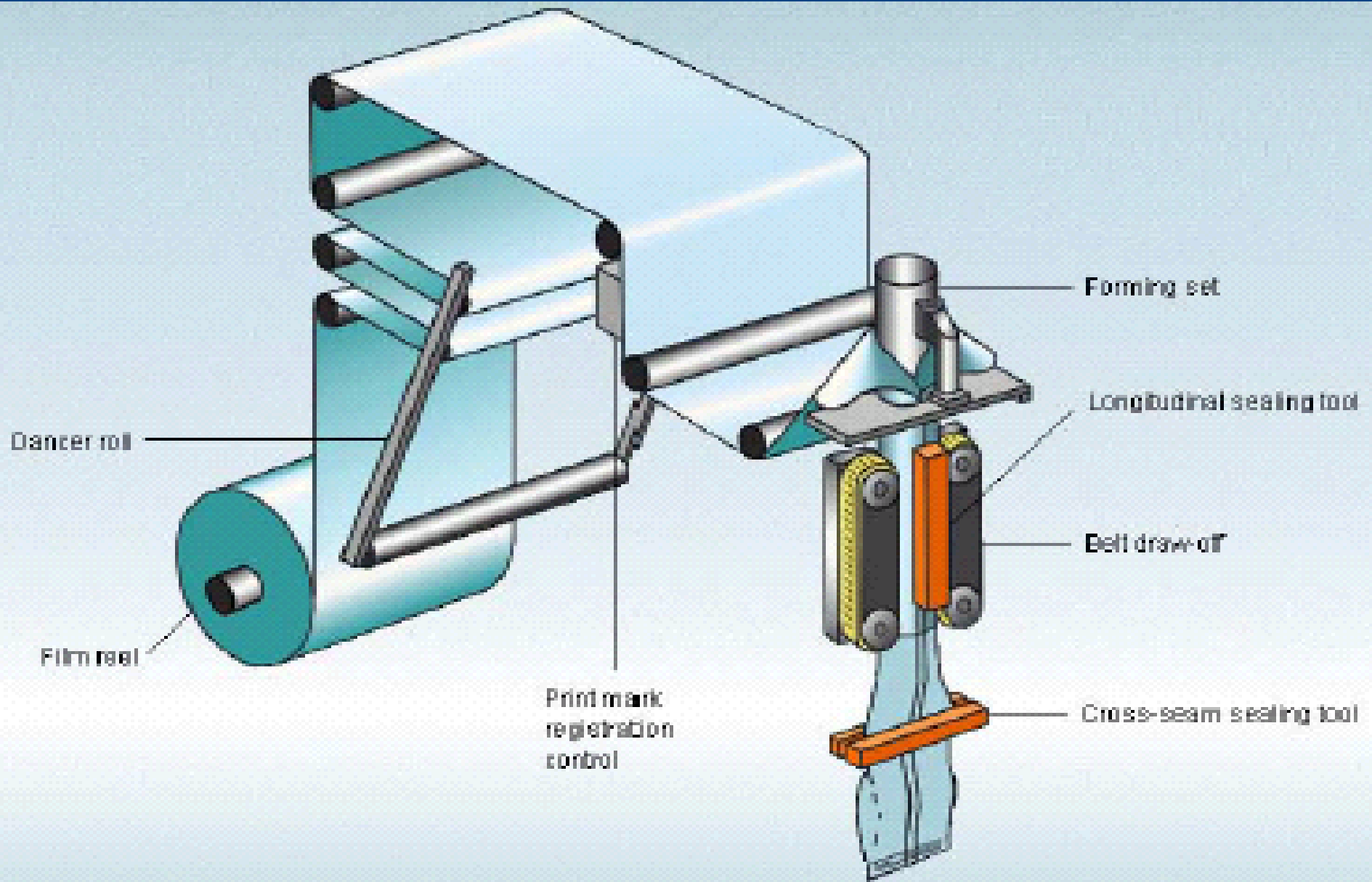


Intermittent motion
machine

Why Continuous?

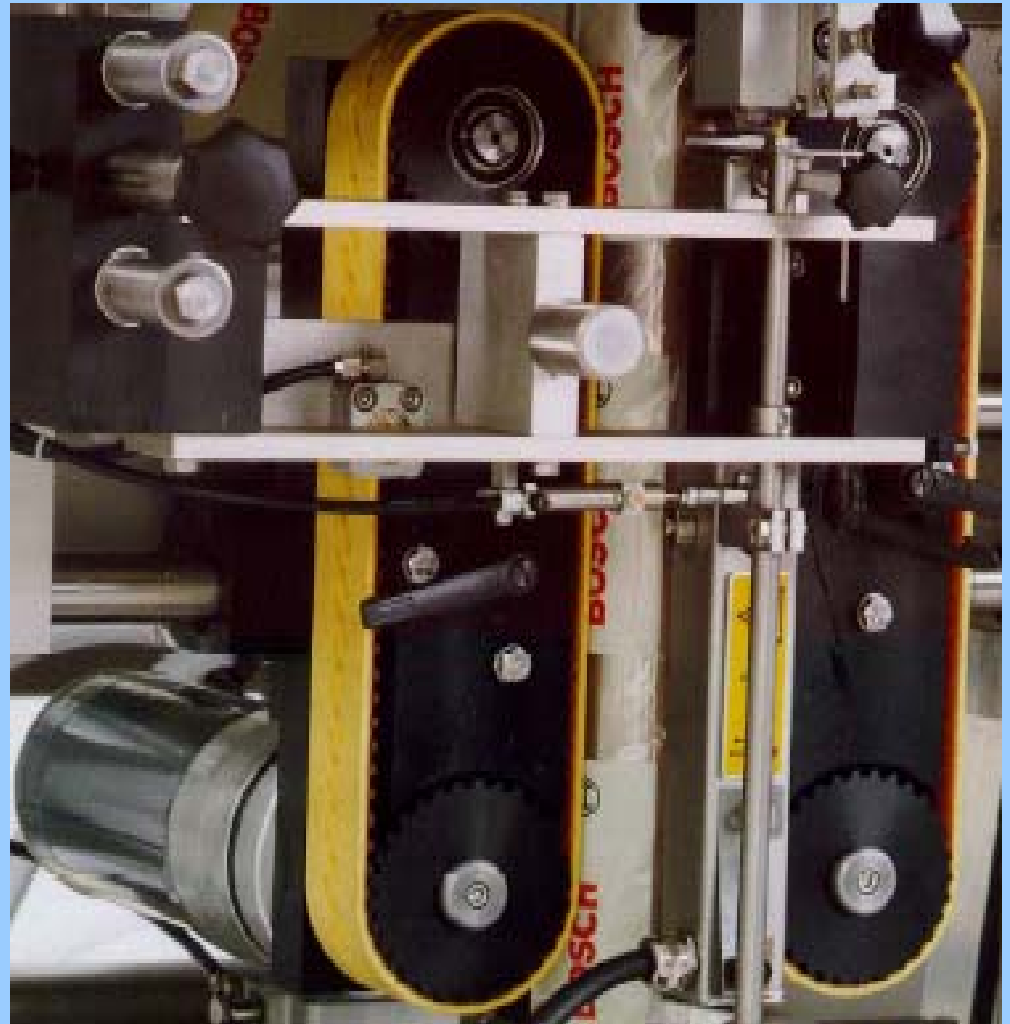
- 30 – 50% Higher Speed than Intermittent Motion Machine
- Significant price/space saving for total production line including up- and downstream equipment
- Savings in operator cost

FILM TRANSPORT SYSTEM working principle



Film Transport System

- Vacuum Draw- Off
- Suitable for wide range of film Materials
- Constant Motion of the Film
- Perfect Bag Length Control

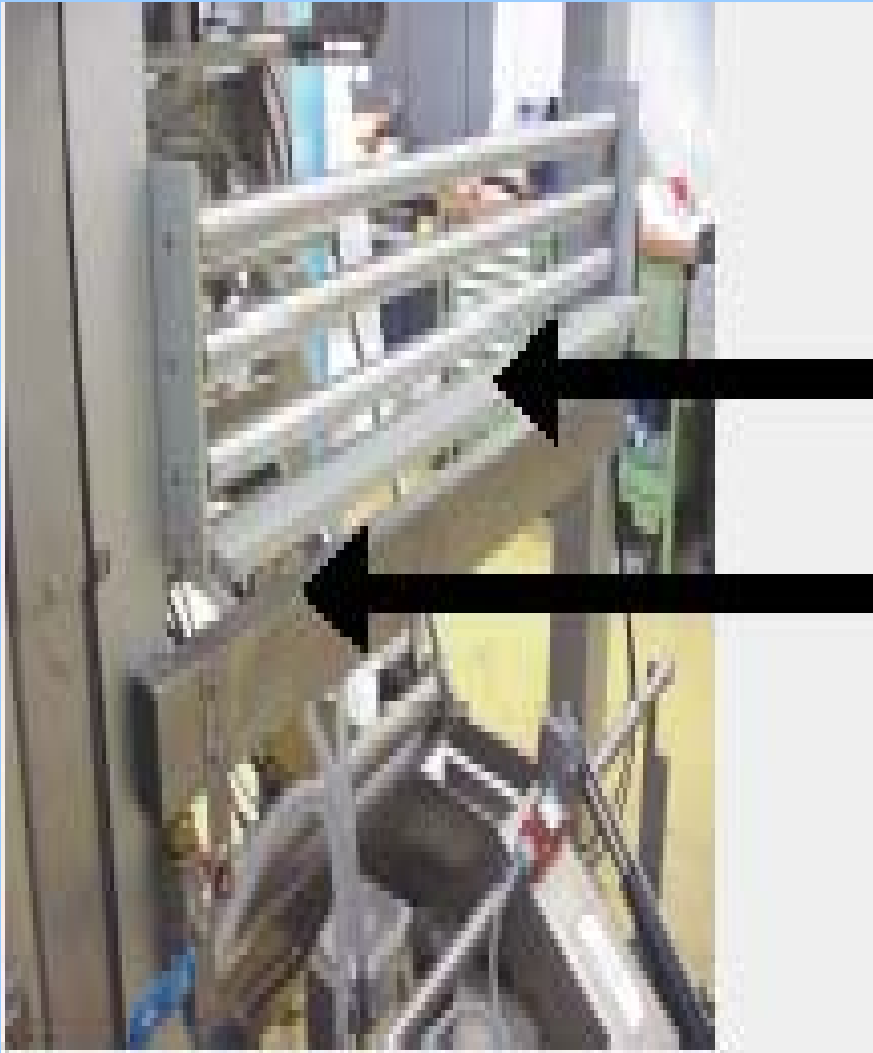


Motor Powered Unwind

- Positive Film Advance



Roll Changeover Mechanism



- Web Clamping System for end of Film
- Easy Film Roll Change by Vacuum Film Splicer

Film Roll Carrier

- Pneumatically Actuated Tensioning Segment



Continuous Motion Machine Jaw Drive Options

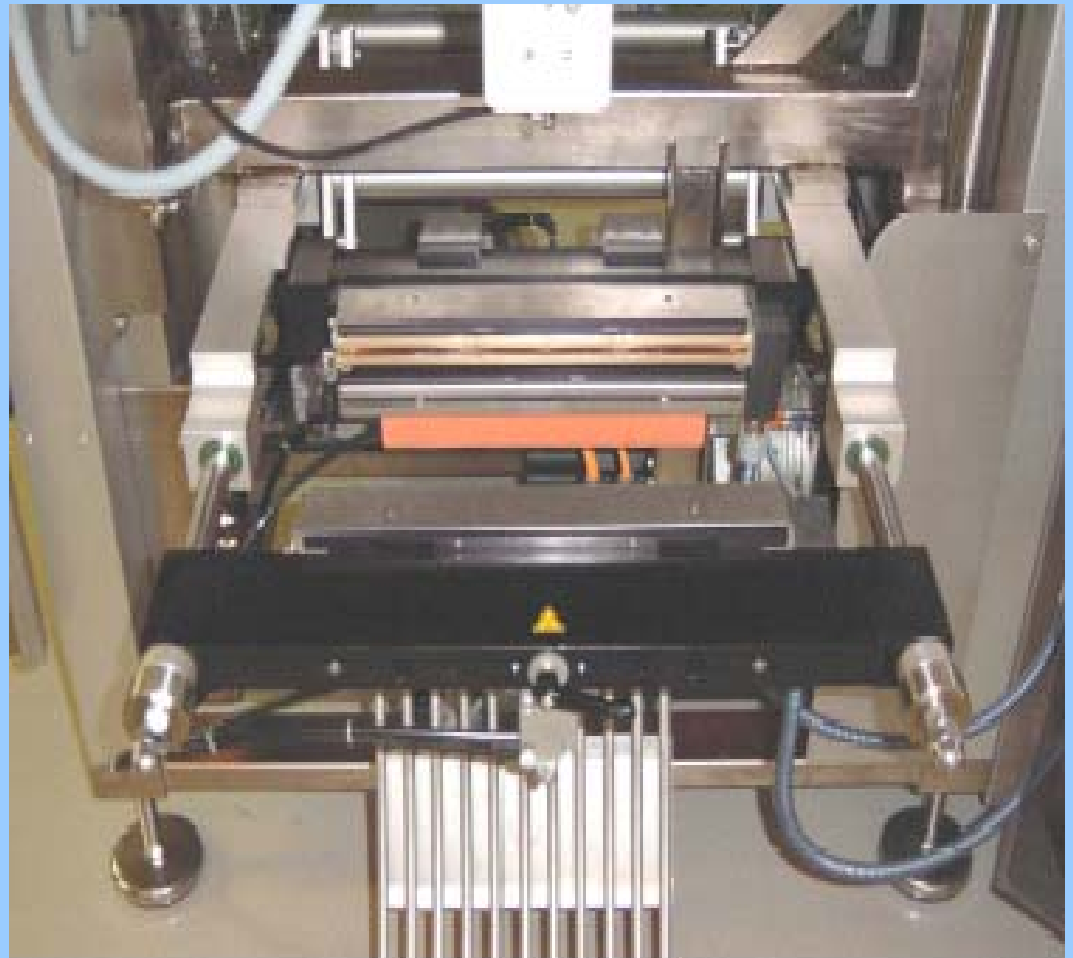
- Rotary Jaw
- Vertical & Horizontal Motion of Cross Seal Jaw

Mechanically Uncoupled Drives

- Cross Seal Jaw - Opening & Closing
Servomotor and Crank Mechanism
- Cross Seal Jaw - Vertical Motion
Servomotor & Knee Lever
- Film Transport
Stepper/ **Servo Motor**

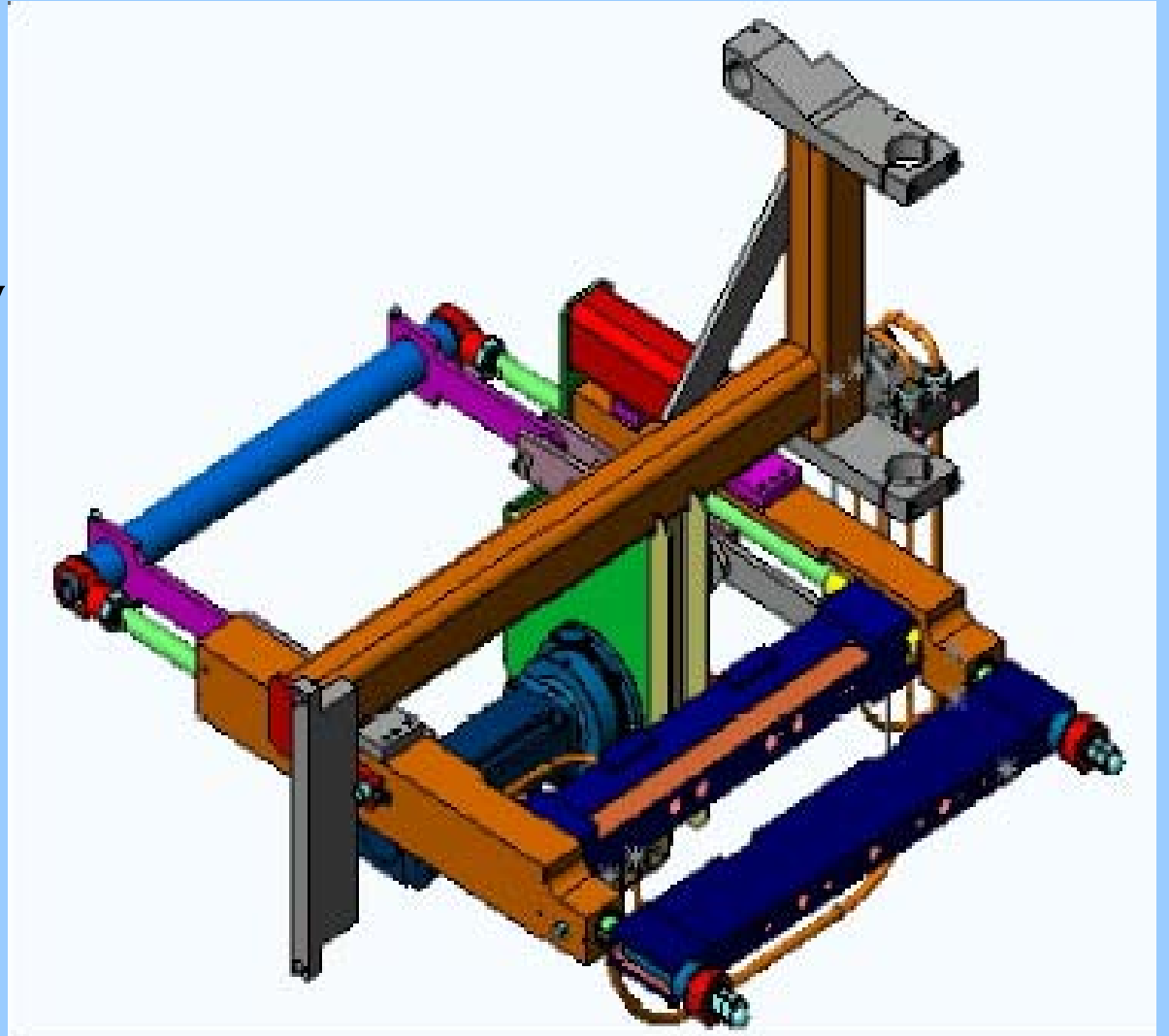
Cross Seal Jaw Horizontal Movement

- Servo Motor Operated Crank Shaft Mechanism
- Sealing Pressure Setting Via Compression Springs



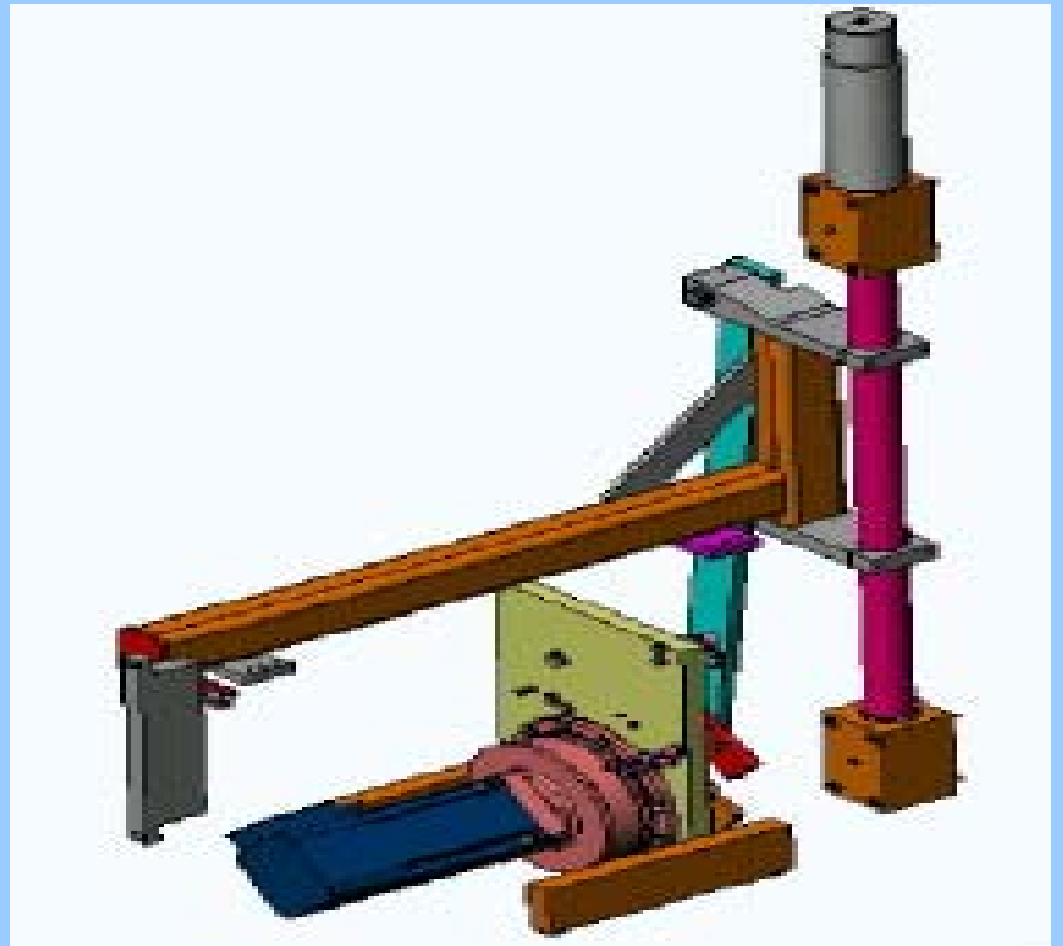
Cross Seal Jaw Horizontal Movement

- Programmable
Cross Seal Jaw
Opening



Cross Seal Jaw Vertical Movement

- Servo Motor Operated Crank Shaft Mechanism
- Programmable Stroke Length (Sealing Time & Bag Length)



Vertical Sealing - Heat Seal

- Low Friction type seal bar with low sealing pressure (Drag Seal)
- Constant Quality of Seal over the total Bag Length
- Simple, reliable system for Laminate Films



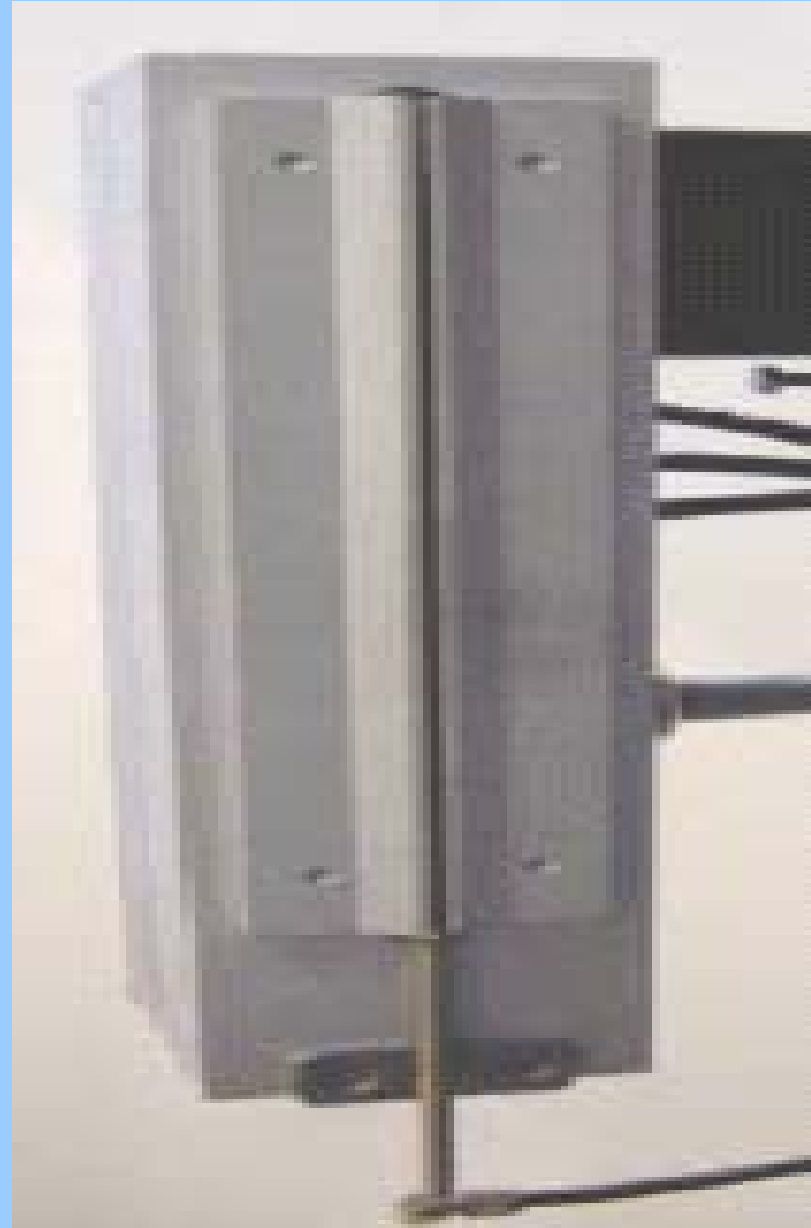
Pinch Seal Jaw System

- Rotating Heated Sealing Belts
- Constant Quality of Seal over the total Bag Length



Hot Air Welding

- For LD/LLDPE
- Constant Quality of Seal over the total Bag Length



High Fill Volume Packing

10 Kg Atta Packing



10 Kg Rice with Linear Weigher



Thank you.