

New Patented System For Tamper Evidence

Self-Locking Closure System for Corrugated Boxes

By

Sundar (email: Sundar@sgs.co.in)

General Manager

SGS Group

Chennai

About Mr. Lee Jones, USA

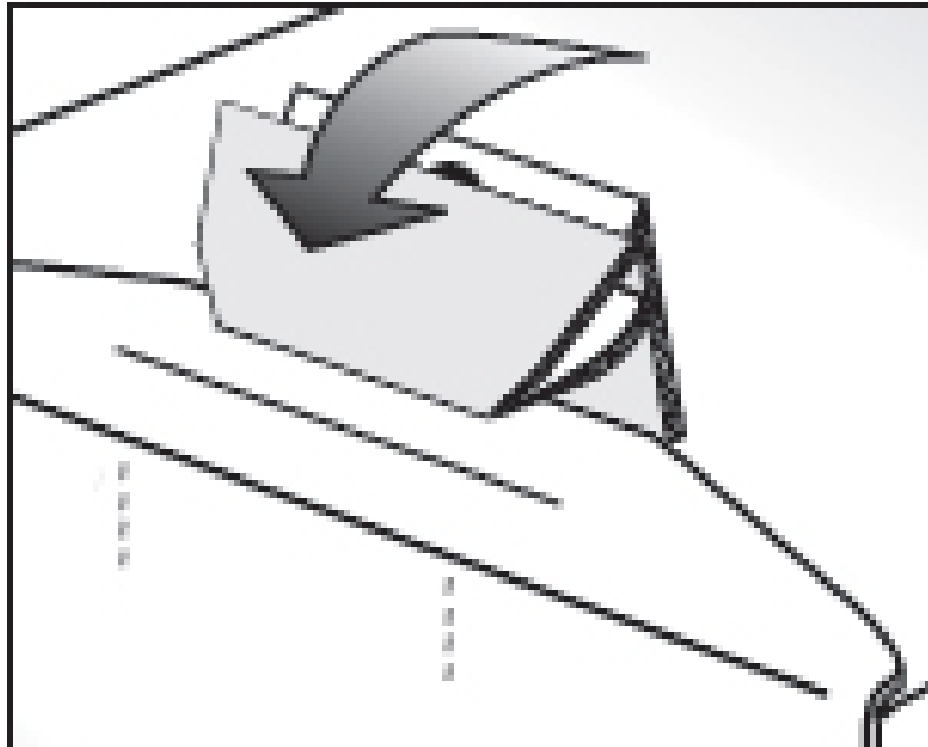
- Mr. Lee Jones has designed many successful packaging products over the years
- Mr. Lee Jones has designed an innovative, unique, corrugated shipping locking boxes for shipments.
- University of Georgia SBDC International Trade Centre is promoting Mr. Lee's Ideas and Concept to develop international Business.

India Patent No: 186952

- Self-Locking Closure System for Corrugated Boxes Patent Registered in India
- Registered Patent Valid for 20 yrs
- Patent for Manufacturing Self-Locking Closure System for Corrugated Boxes



How the Lock Works!

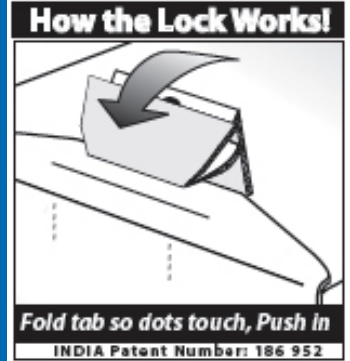


Fold tab so dots touch, Push in

INDIA Patent Number: 186 952

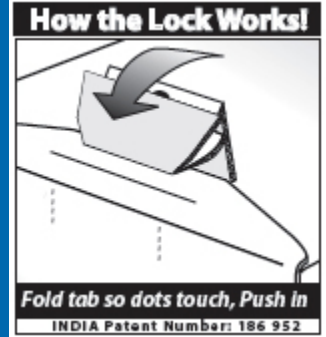
Advantages over Locking system

- Boxes folds together quickly and easily
- Cannot be re-opened without tearing the special closure
- Tamper evident: Box once re-opens, it can be re-closed with tape only making it readily apparent that someone has tampered with the box previously.
- ..



Advantages over Locking System

- Simple and secure closure for individual (non-assembly line) shipments like Postal, Couriers, Gift boxes etc
 - Example
 - 1,55,600 Post Offices across Country
 - 30,000 are in cities and remaining in Villages
 - 9,000 are in Business commercial areas
- Lock Boxes are smart, Economical and easy to handle
- they are designed for safety, saving time and reducing stress
- Simply fold the scores, then tuck in the locking tabs.



Why we need this Locking System

- To Avoid tampering of valuable materials getting transferred
- To make sure our materials which sent is safe.
- Money wise
 - Wrapping Paper Cost (Eliminate)
 - Tissue Cost (Eliminate)
 - Tape Cost (Eliminate)



Mr. Lee Jones with SGS Group





Partnership With SGS Group

- SGS Group signed up exclusive Partnership with Mr. Lee Jones to use his Patent rights for Manufacturing Self-Locking Closure system for Corrugated Boxes.
- SGS Group
Mr. S.G.Sekar, Chairman, and
G. Sathish Das, Executive Director
been to US and signed up Partnership Agreement with Mr. Lee Jones to use the patent right for Manufacturing Self-Locking Closure system for Corrugated Boxes.



About SGS Group

- Head Quartered in Chennai
- Having Offices in US and Australia
- Over 25 years in diverse range of business
- Rapid growth in Various businesses like
 - Petroleum products Distribution
 - Plastic products
 - Consumer products
 - Software services
 - Real Estates
 - Import and Export
 - Now with Box Manufacturing



SGS into Box Industries

- SGS Group of Company will be manufacturing lock box as per client requirements in size.
- SGS Group started their research and development of this product to global platform to meet customer needs
- To grow Corrugated Lock Box in India at low cost
- Expanding into export of Lock boxes to various countries.



Corporate office

- 113, Poonamalle High Road
Gee Gee Shroff Building
Chennai - 600084
Ph: 044 2820 5757
2820 5758
Fax : 044 4204 1414

Thank you

